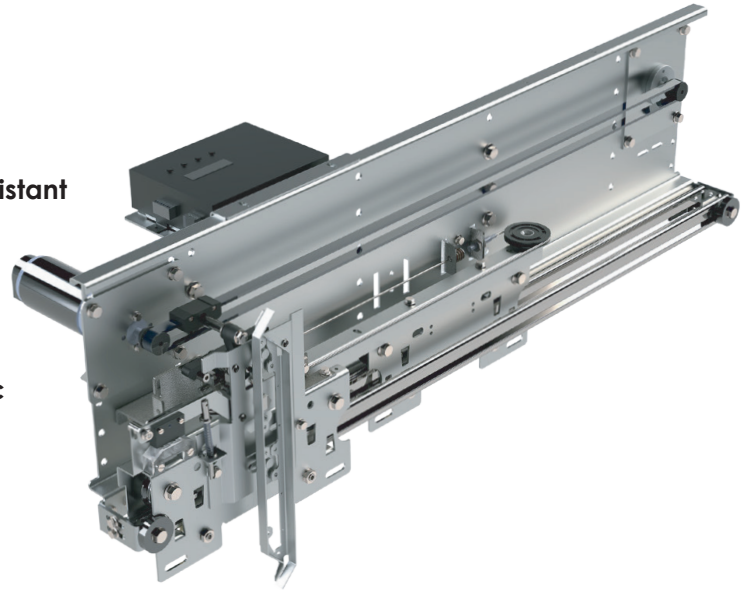


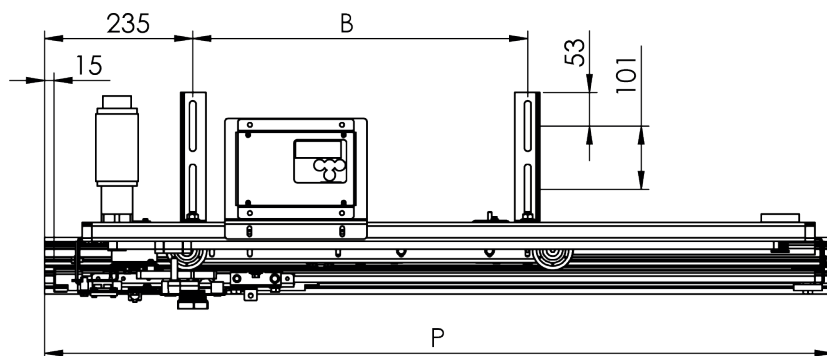
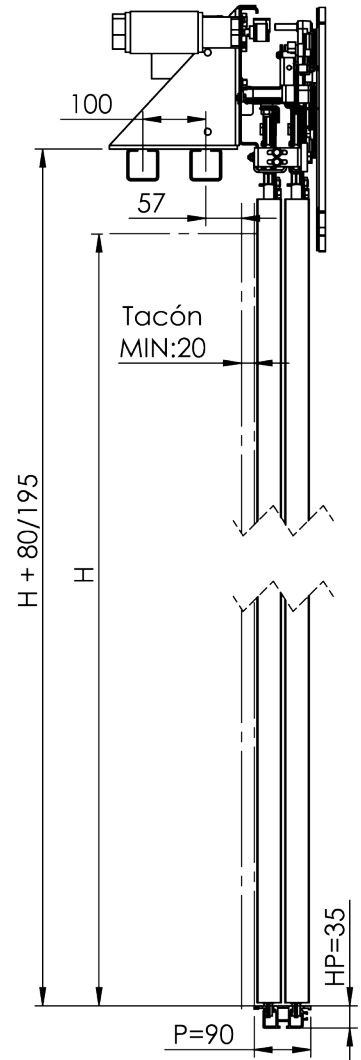
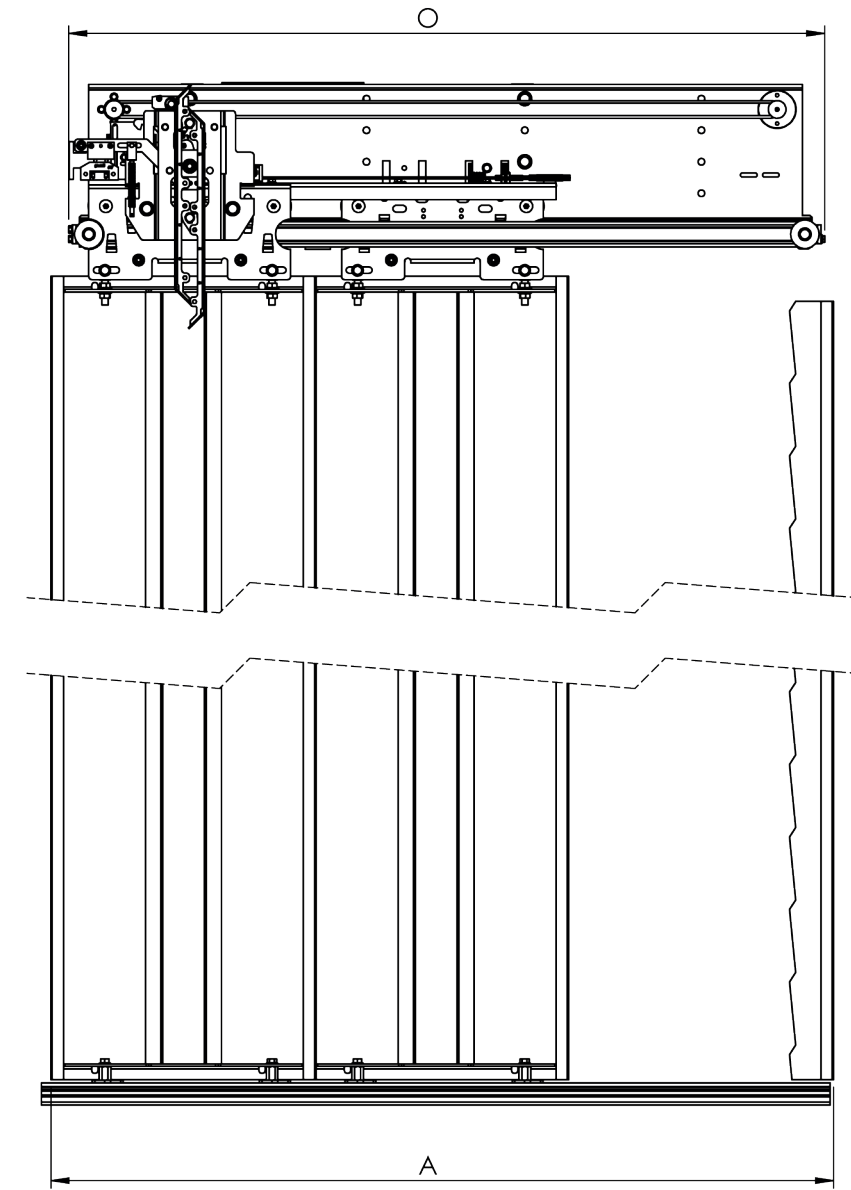
## GV200CD

### AUTOMATIC CAR DOORS

- > Car doors for high rise residential and commercial sector.  
Upto 500.000 annual cycles.  
For lifts of upto 1,6 m/sg.  
Large capacity of work cycle.
- > Operator with double lane of light, high resistant hardened aluminium .
- > Opening speed of upto 0,5 m/sg.
- > 24VDC motor, with high capacity electronic transformer.
- > 2,5 NM of par and 140 W of power, with planetary reducer.
- > Large pull capacity of panel weight.
- > Programmed and verified in factory to avoid assembly and adjustment time.
- > Fixing plates to simplify adjustment to car.
- > Option of 90mm. and 70mm. doortracks.
- > Finishing in Epoxy in Ral 7032 or any other RAL choice.
- > Finishing in stainless steel Aisi 304 SB or other finishing choices.
- > Panels with adjustable hangers in 3 dimensions to simplify assembly and adjustment in refurbishments.
- > Cam with mechanical blocking or without blocking.
- > Certified electrical cam, automatic or swing doors.
- > Complies with: EN81-20/50 - EN81-41 - EN81-21

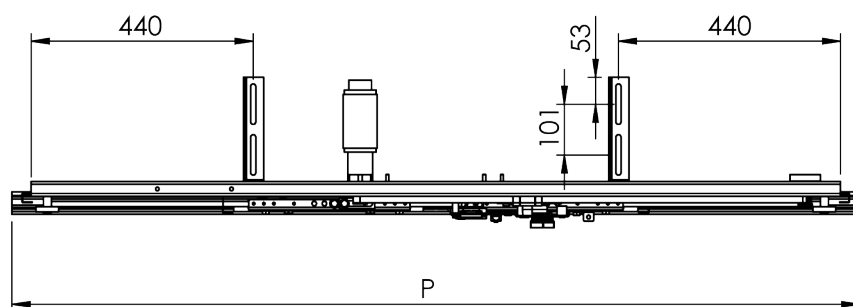
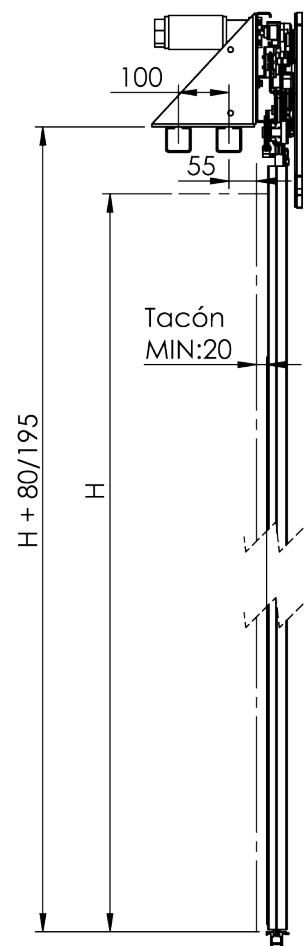
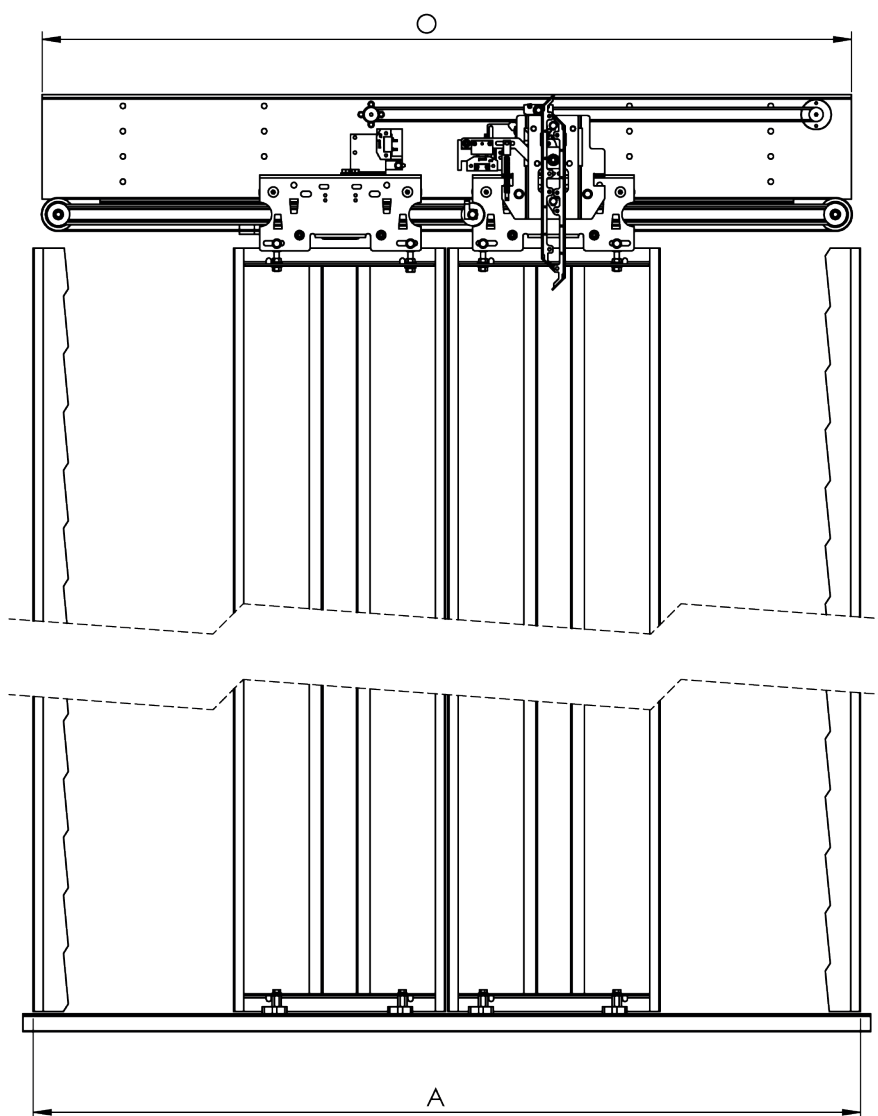


# CAR DOOR 2HL



PL	A	O	P	B
600	940	960	950	391
650	1015	1010	1025	416
700	1090	1100	1100	441
750	1165	1150	1175	166
800	1240	1200	1250	531
850	1315	1250	1325	556
900	1390	1300	1400	581
950	1465	1350	1475	606
1000	1540	1520	1550	751
1050	1615	1570	1625	776
1100	1690	1620	1700	801
1150	1765	1670	1775	826
1200	1840	1720	1850	851

# CAR DOOR 2HC



PL	A	O	P
600	1240	1264	1280
650	1340	1339	1380
700	1440	1454	1480
750	1540	1529	1580
800	1640	1604	1680
850	1740	1679	1780
900	1840	1754	1880
950	1940	1829	1980
1000	2040	2024	2080
1050	2140	2099	2180
1100	2240	2174	2280
1150	2340	2249	2380
1200	2440	2324	2480



Mechanical and Electrical Components  
for Vertical Installations, S.L.U.

Avenida de la Industria, 15  
Polígono Acceso Ademuz Peixador  
46980 Paterna (Valencia) - SPAIN  
Telf: (+34) 961 322 364 - Fax: (+34)963 010 203  
<http://www.mevcomponents.com/>  
[comercial@mevcomponents.com](mailto:comercial@mevcomponents.com)

**Note: The company reserves the right to supply materials that may differ from those described in this catalogue.**

Nota: La empresa se reserva el derecho de suministrar materiales que puedan diferir levemente de los descritos en éste catálogo.